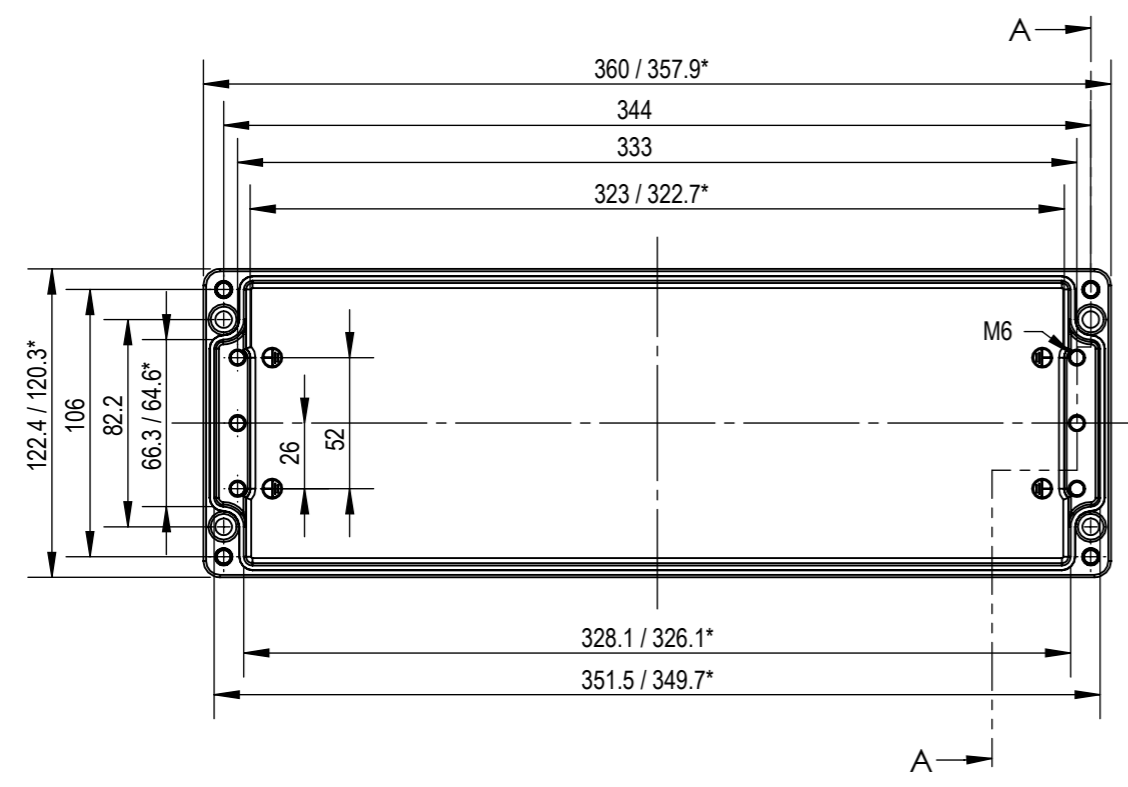
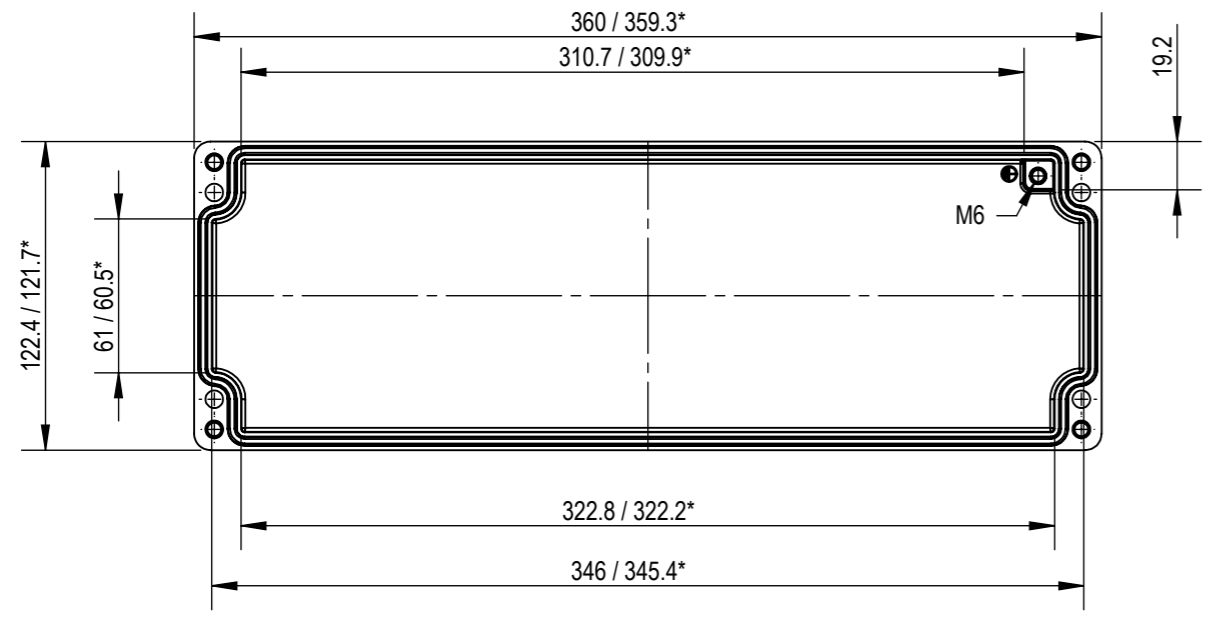
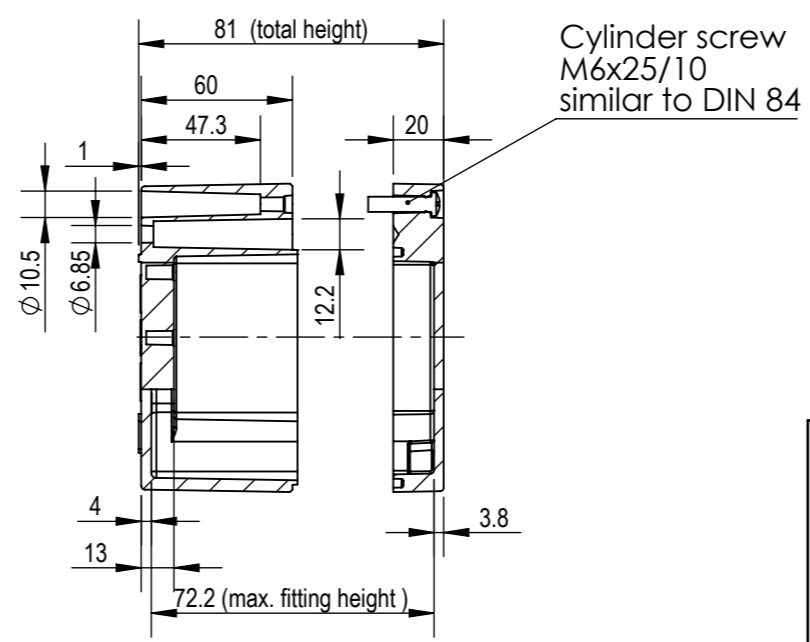
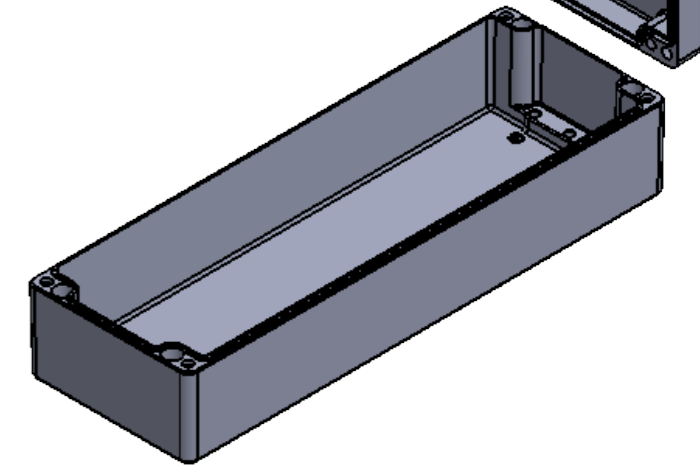
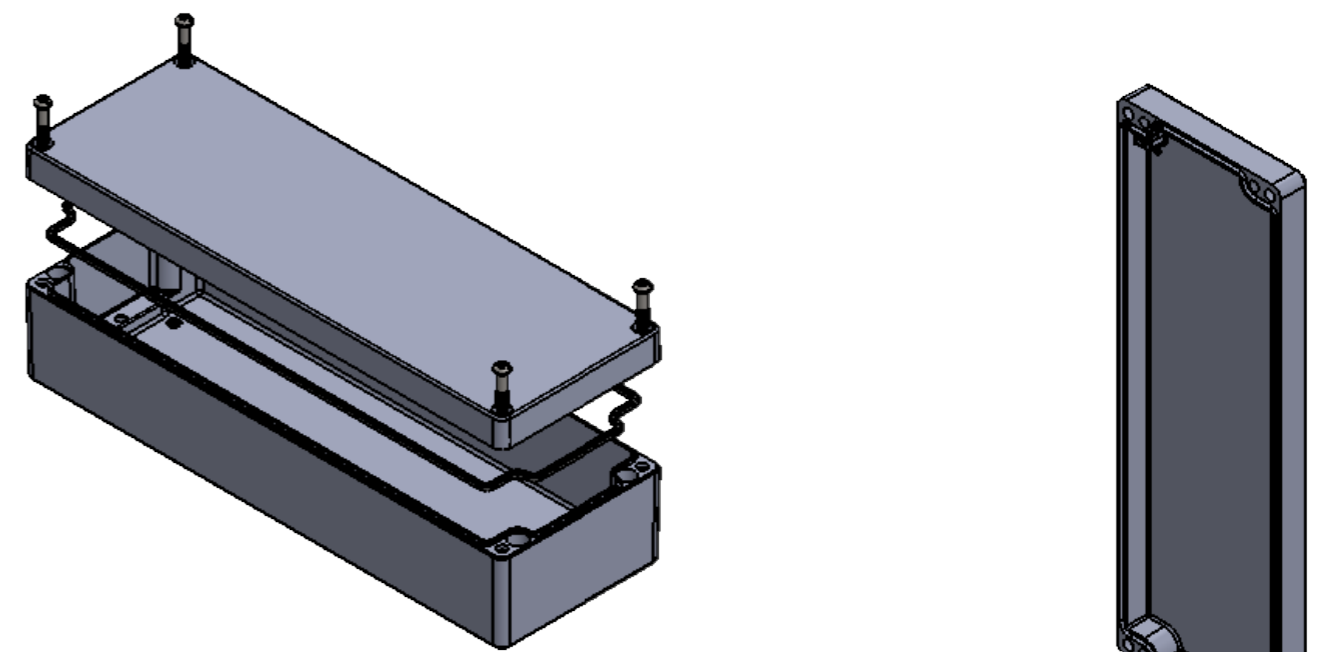


LID



SECTION B-B



* = Conical form tapering downwards
Free dimensions-tolerance to GTA 13/5DIN 1688

ENCLOSURE/BOX MEETS THE REQUIREMENTS OF
IS/IEC 60529:2001
OR
EN 60529
FOR IP 66 AND IP 68 SEVERITY

BASE

		MANUFACTURER	MODEL	BRAND NAME
		BB 20		
TOLERANCE (AS PER) GTA 13/5 DIN 1688	MATERIAL ALUMINIUM ALLOY GdAlSi12(Fe) / DIN1706 / ENAC44300	ALL DIMENSIONS ARE IN : Millimeters (mm)	ENCLOSURE /BOX SIZE L X W X H 360 x 122 x 80	
ALL UNSPECIFIED RADII = R 1.5	DATE	SHEET SIZE : A3	DRAWING NO	
SALT MIST TEST > 1000 Hrs	DRAWN BY	G.A.G	REVISION NO	
FINISH NATURAL OR POWDER COATED	CHECKED BY	06-06-2023 RAJ.K.JHA		
PROPREITY & CONFEDENCIAL : All information in this drawing is the sole property of DEMO CASTERS PVT LTD. Any reproduction inpart or as a whole without the written concent of Demo Casters is prohibited.	APROVED BY	06-06-2023 V. BIJLANI		
	RELEASED	SCALE 1:3	DEM-001-20	