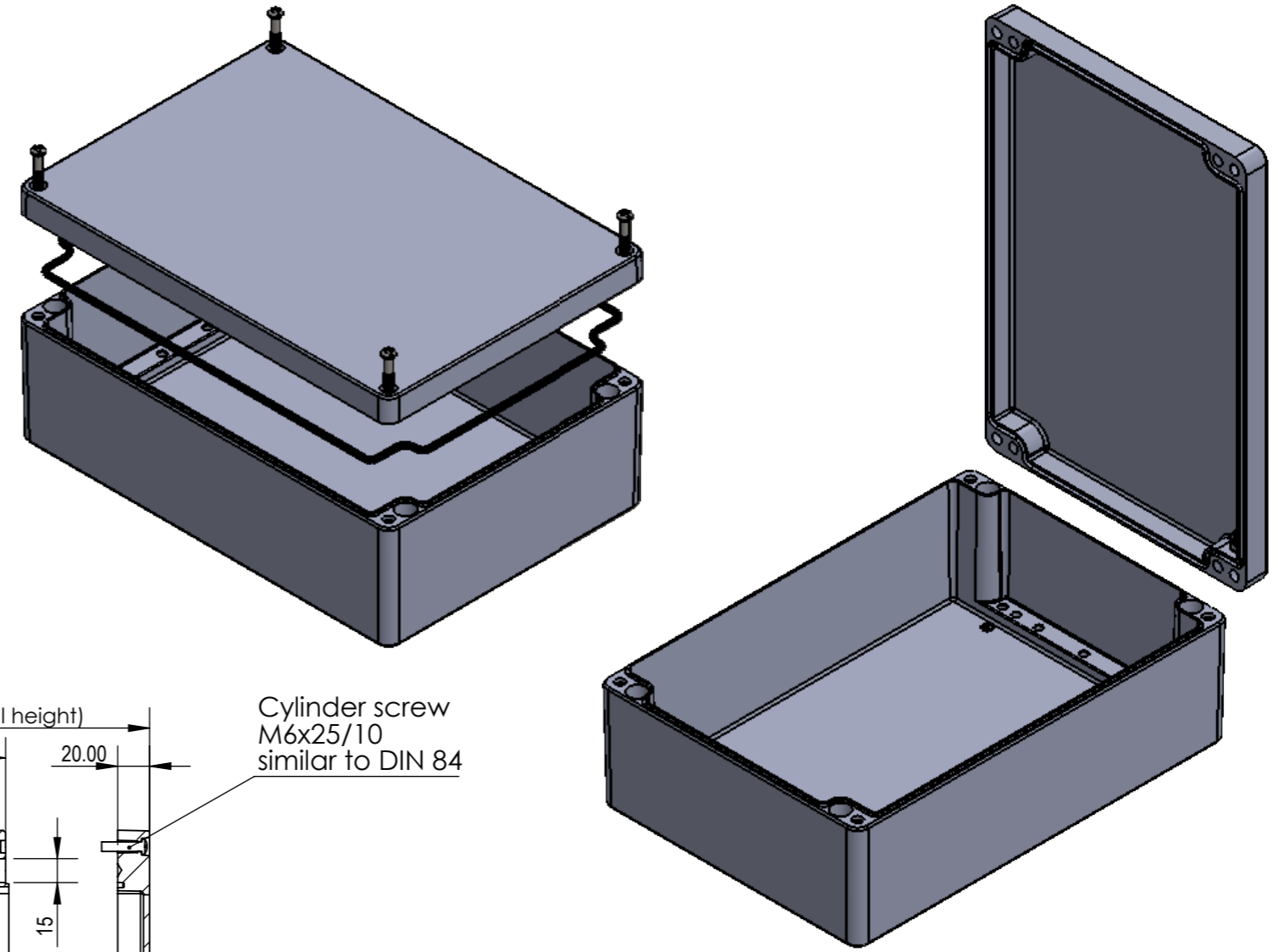
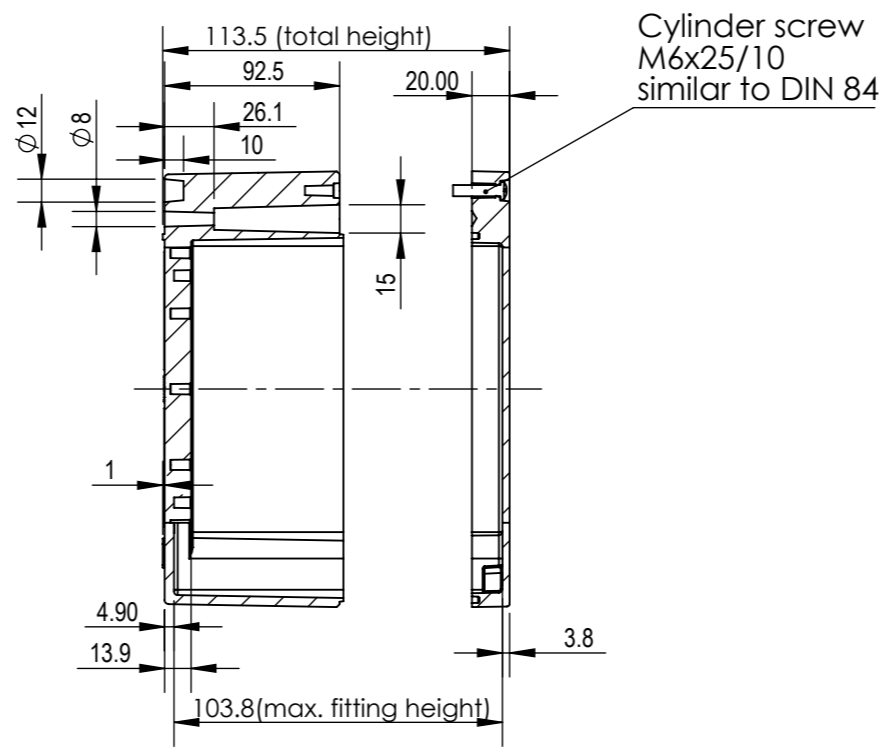
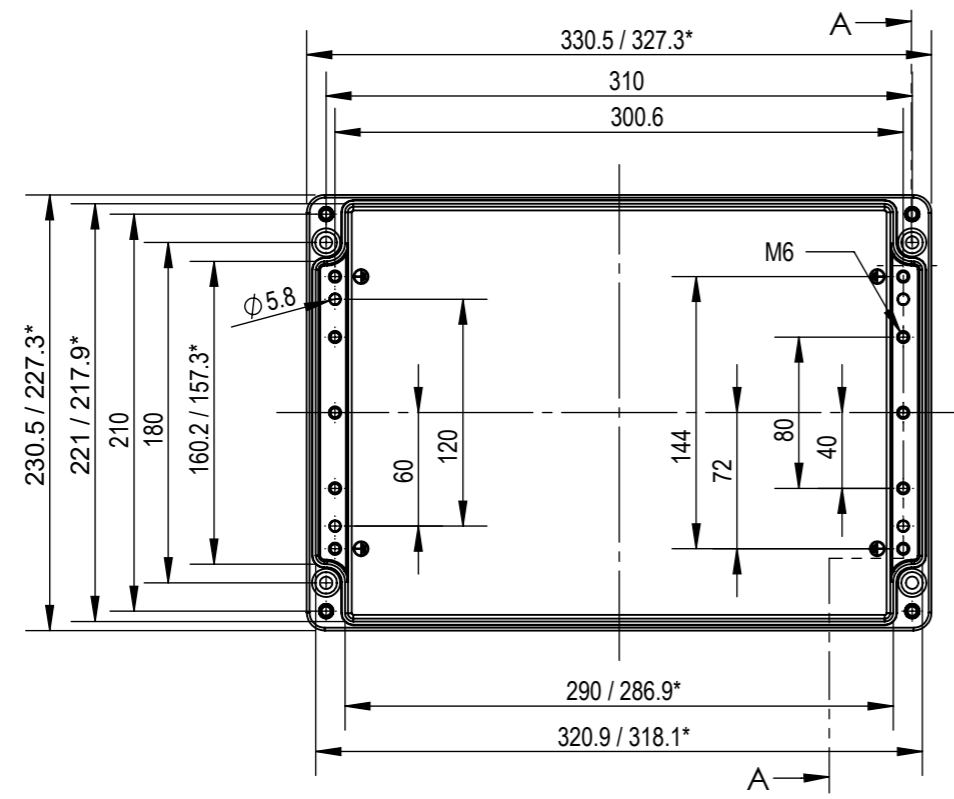
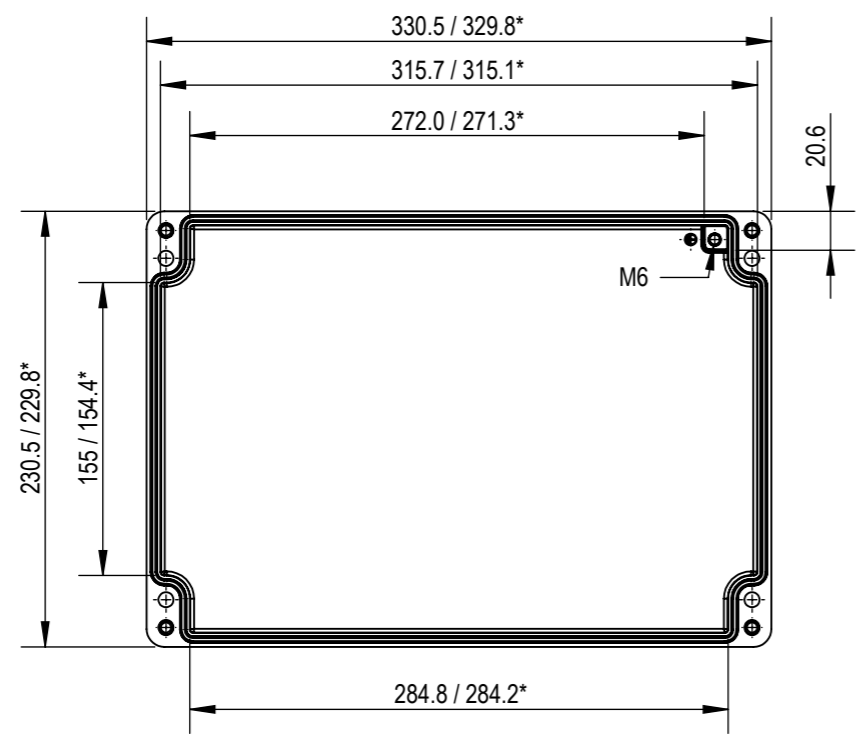


LID



* = Conical form tapering downwards
Free dimensions-tolerance to GTA 13/5DIN 1688

ENCLOSURE/BOX MEETS THE REQUIREMENTS OF
IS/IEC 60529:2001
OR
EN 60529
FOR IP 66 AND IP 68 SEVERITY

BASE

		MANUFACTURER	MODEL	BRAND NAME
TOLERANCE (AS PER) GTA 13/5 DIN 1688			BB 18	
MATERIAL ALUMINIUM ALLOY GdAlSi12(Fe) / DIN1706 / ENAC44300		ALL DIMENSIONS ARE IN : Millimeters (mm)		ENCLOSURE /BOX SIZE L X W X H 330 x 230 x 111
ALL UNSPECIFIED RADII = R 1.5		SHEET SIZE : A3		DRAWING NO DEM-001-18
SALT MIST TEST > 1000 Hrs		DRAWN BY G.A.G	SCALE 1:4	
FINISH NATURAL OR POWDER COATED		CHECKED BY RAJ.K.JHA	REVISION NO	
PROPREITY & CONFEDENCIAL : All information in this drawing is the sole property of DEMO CASTERS PVT LTD. Any reproduction in part or as a whole without the written consent of Demo Casters is prohibited.		DATE 05-06-2023	RELEASED	
APPROVED BY V. BIJLANI		DATE 05-06-2023	DRAWING NO DEM-001-18	