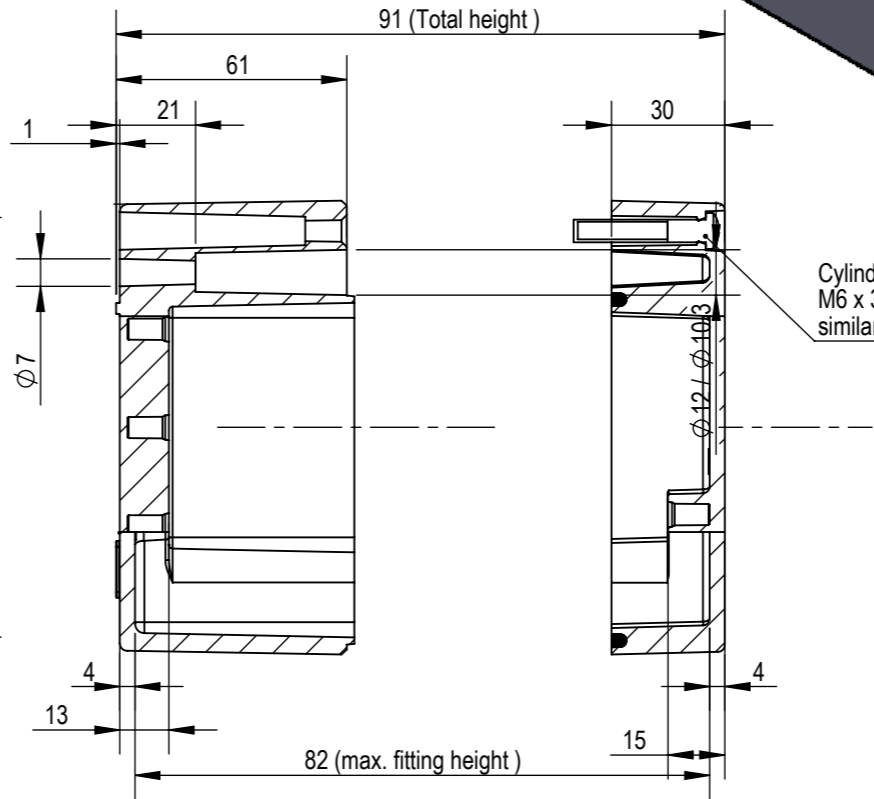
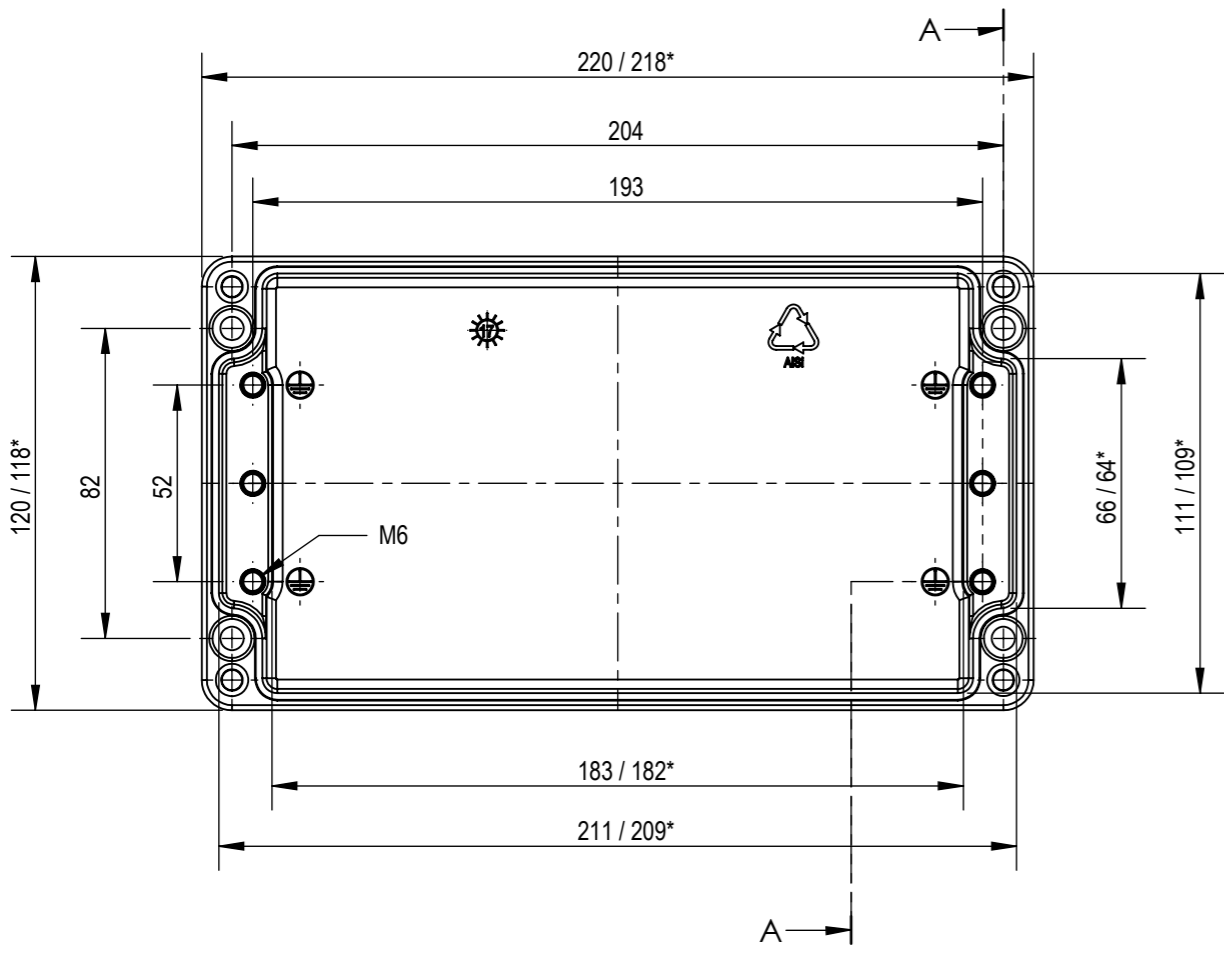
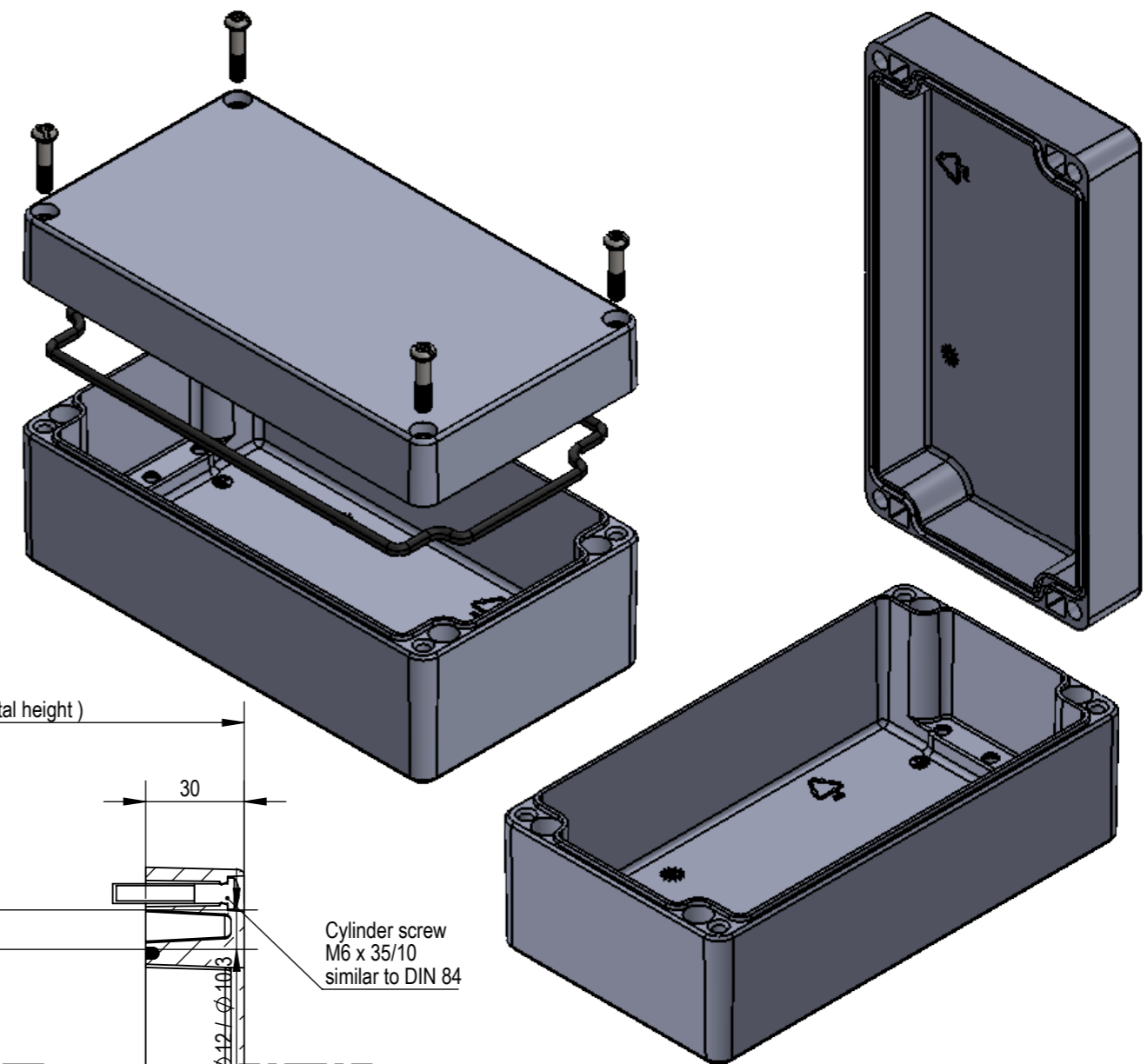
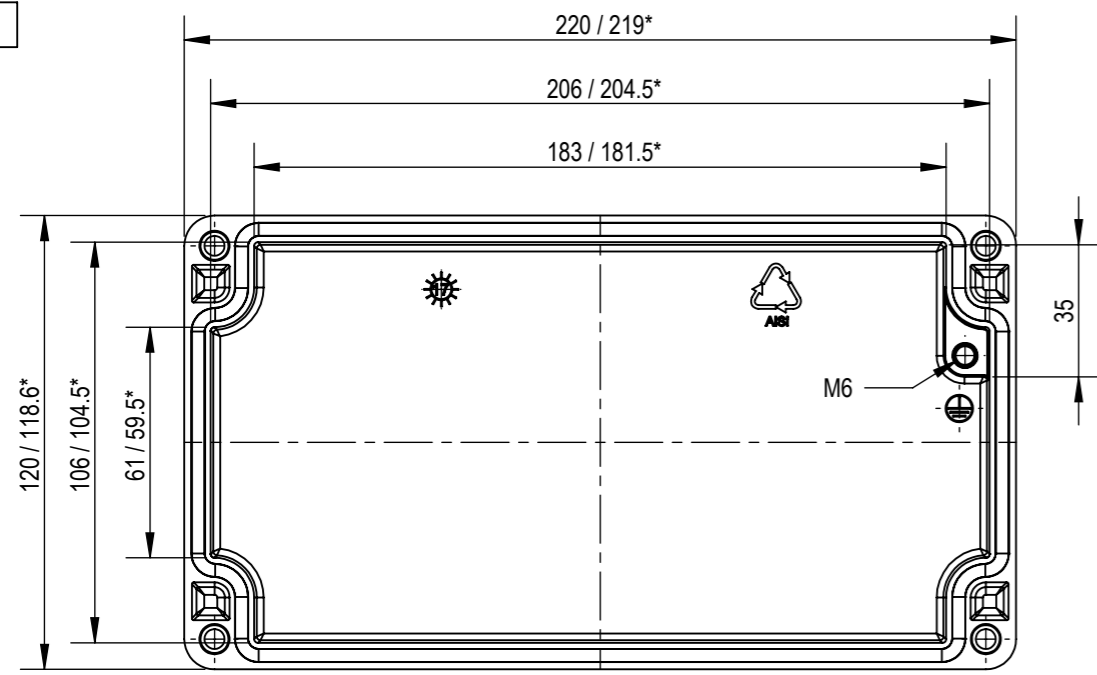


LID



* = Conical form tapering downwards
Free dimensions-tolerance to GTA 13/5DIN 1688

ENCLOSURE/BOX MEETS THE REQUIREMENTS OF
IS/IEC 60529:2001
OR
EN 60529
FOR IP 66 AND IP 68 SEVERITY

BASE



MANUFACTURER	MODEL	BRAND NAME
DEMO CASTERS	BB16	EBOX

TOLERANCE (AS PER) GTA 13/5 DIN 1688	MATERIAL ALUMINIUM ALLOY GdAlSi12(Fe) / DIN1706 / ENAC44300	ALL DIMENSIONS ARE IN : Millimeters (mm)	ENCLOSURE /BOX SIZE L X W X H 220 x 120 x 91
ALL UNSPECIFIED RADII = R 1.5	DATE 19-02-2017	SHEET SIZE : A3	DRAWING NO DEM-001-16
SALT MIST TEST > 1000 Hrs	DRAWN BY G.A.G.		
FINISH NATURAL OR POWDER COATED	CHECKED BY 04-04-2021 RAJ.K.JHA	SCALE 1:2	REVISION NO
PROPREITY & CONFEDENCIAL : All information in this drawing is the sole property of DEMO CASTERS PVT LTD. Any reproduction inpart or as a whole without the written concent of Demo Casters is prohibited.	APROVED BY 05-04-2021 V. BIJLANI		
RELEASED			