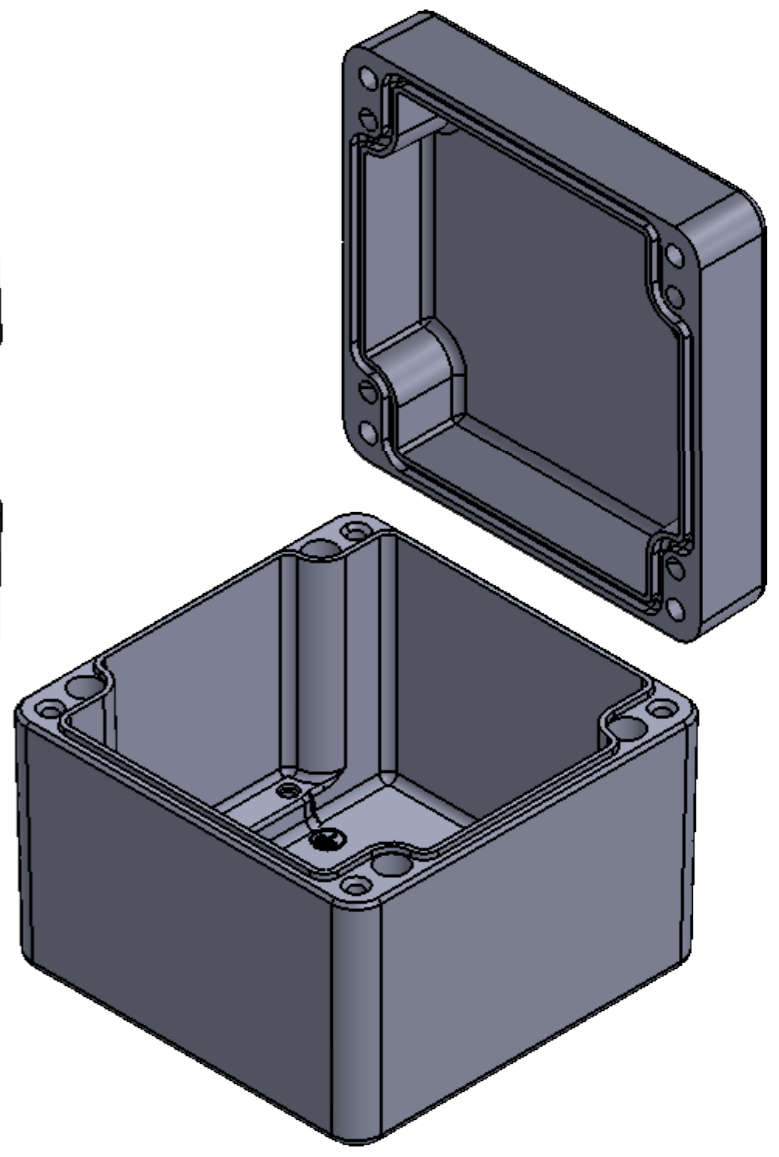
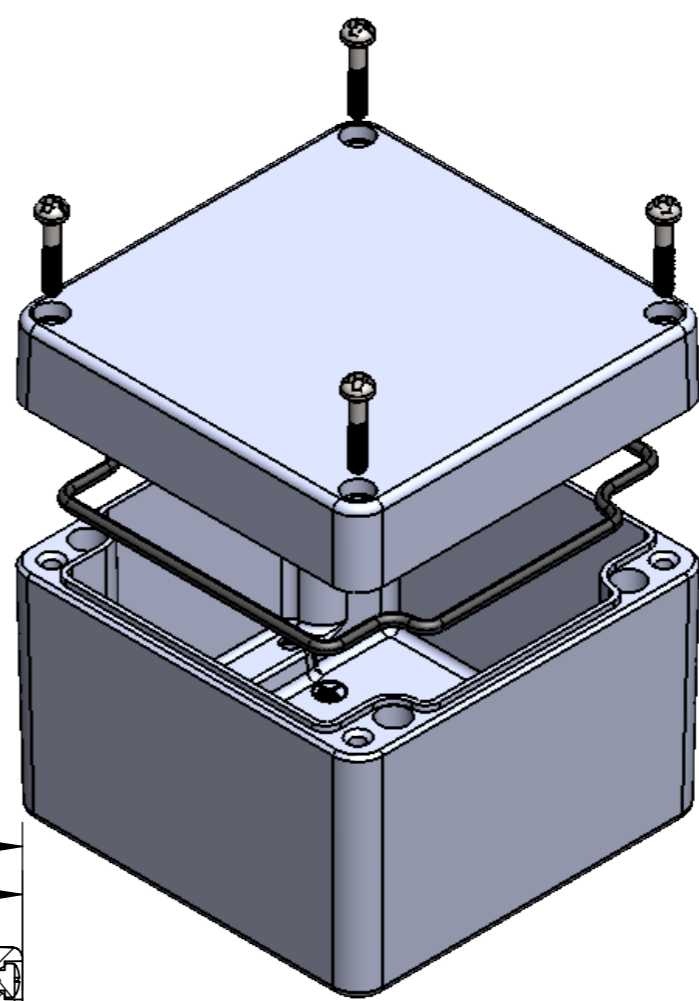
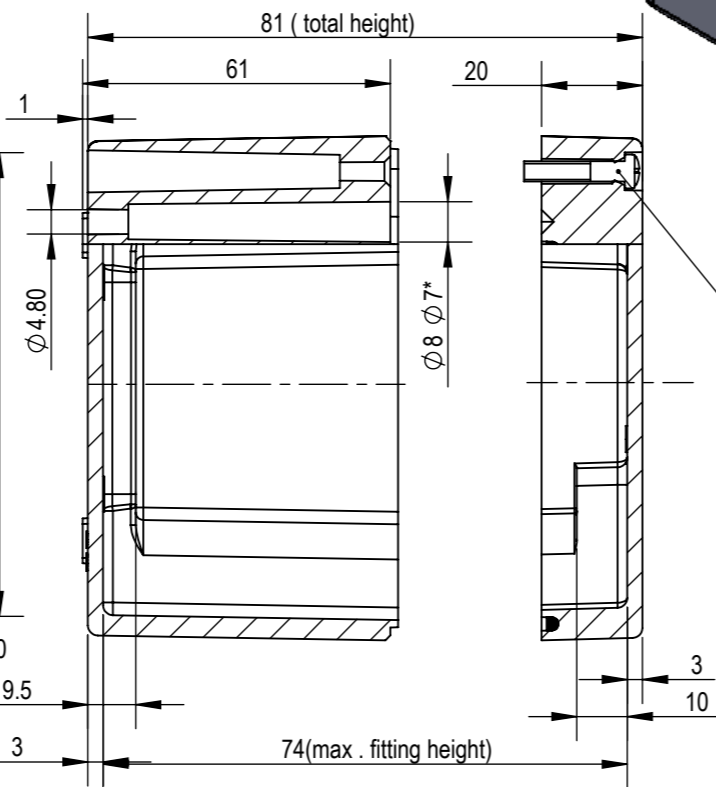
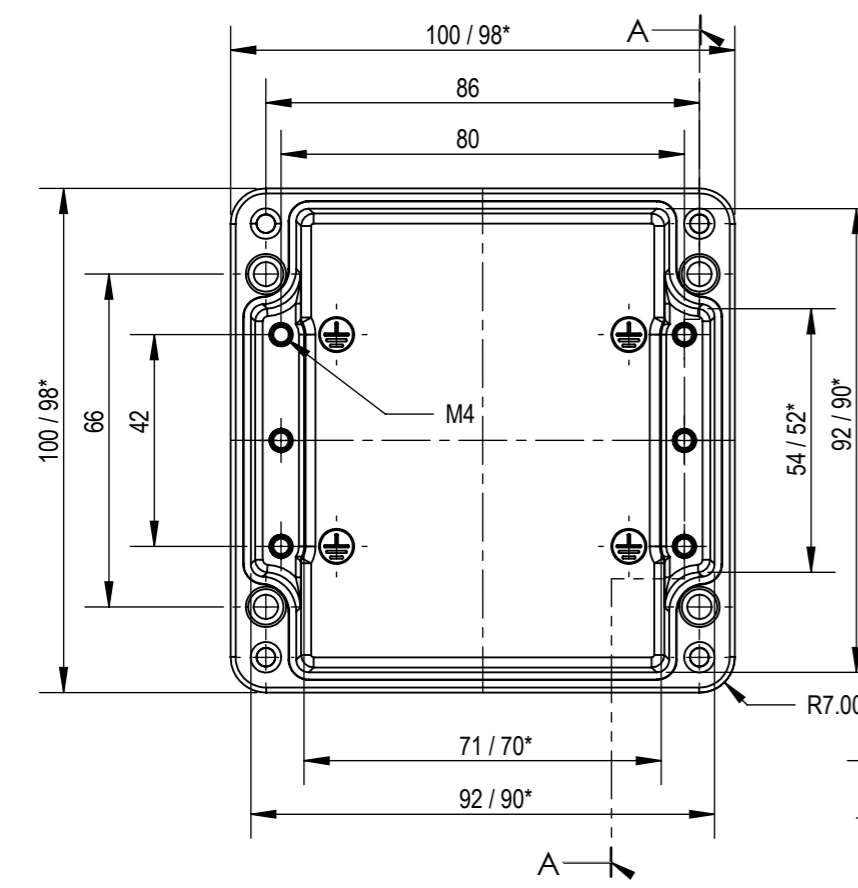
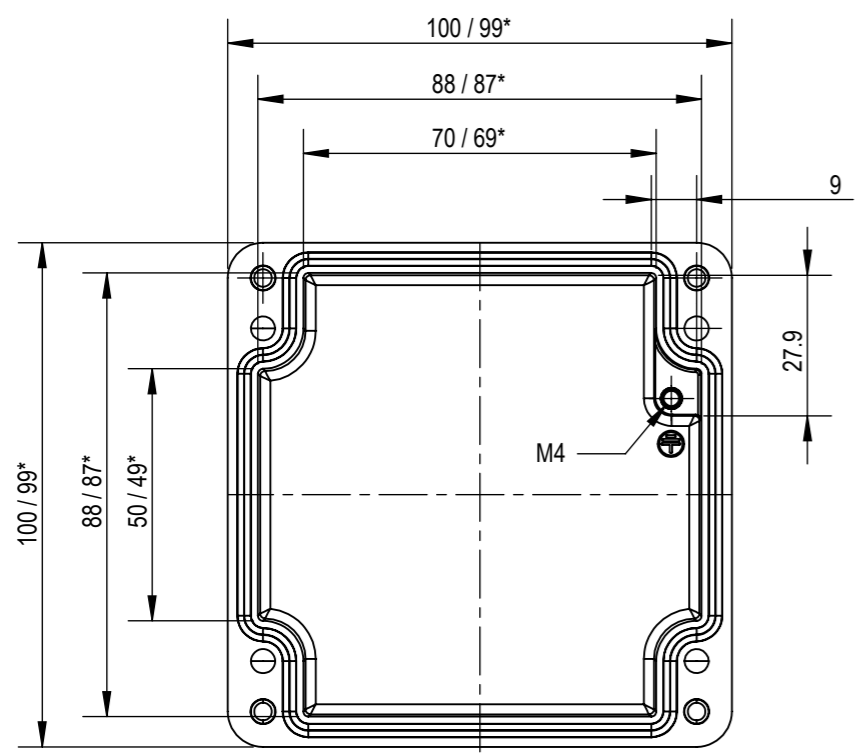


LID



Cylinder screw  
M4X20/7  
similar to DIN 84

\* = Conical form tapering downwards  
Free dimensions-tolerance to GTA 13/5DIN 1688

ENCLOSURE/BOX MEETS THE REQUIREMENTS OF  
IS/IEC 60529:2001  
OR  
EN 60529  
FOR IP 66 AND IP 68 SEVERITY

BASE

		MANUFACTURER	MODEL	BRAND NAME
TOLERANCE (AS PER) GTA 13/5 DIN 1688			BB 08	
MATERIAL ALUMINIUM ALLOY GdAlSi12(Fe) / DIN1706 / ENAC44300		ALL DIMENSIONS ARE IN : Millimeters (mm)		
ALL UNSPECIFIED RADII = R 1.5 SALT MIST TEST > 1000 Hrs FINISH NATURAL OR POWDER COATED		ENCLOSURE / BOX SIZE L X W X H <b>100 x 100 x 81</b>		
PROPRIETY & CONFEDENCIAL : All information in this drawing is the sole property of DEMO CASTERS PVT LTD. Any reproduction in part or as a whole without the written consent of Demo Casters is prohibited.		SHEET SIZE : A3 SCALE 2:3	DRAWING NO	REVISION NO
DRAWN BY: 26-12-2013 G.A.G. CHECKED BY: 04-04-2021 RAJ.K.JHA APPROVED BY: 05-04-2021 V. BIJLANI		DEM-001-8		
RELEASED				