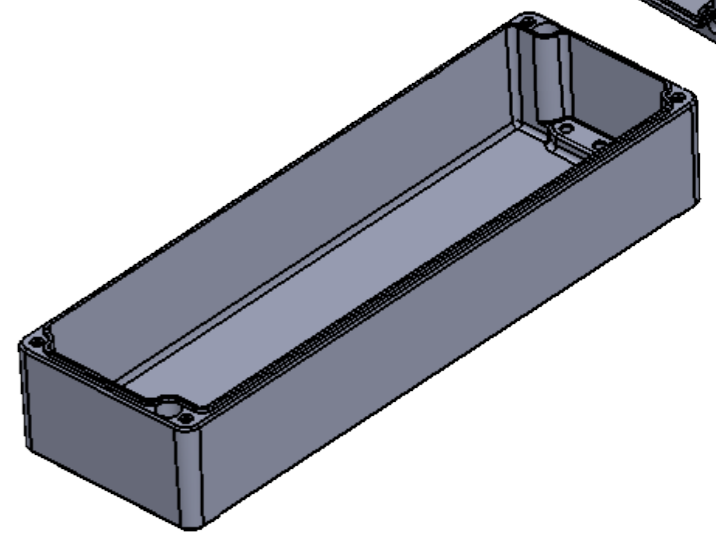
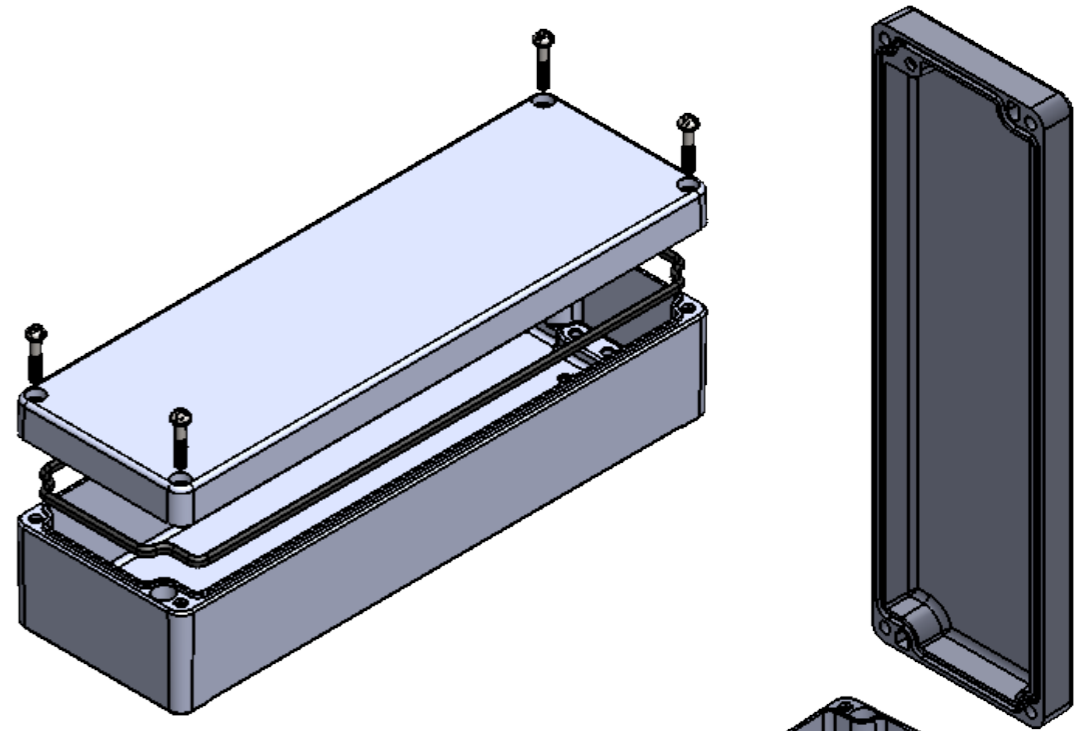
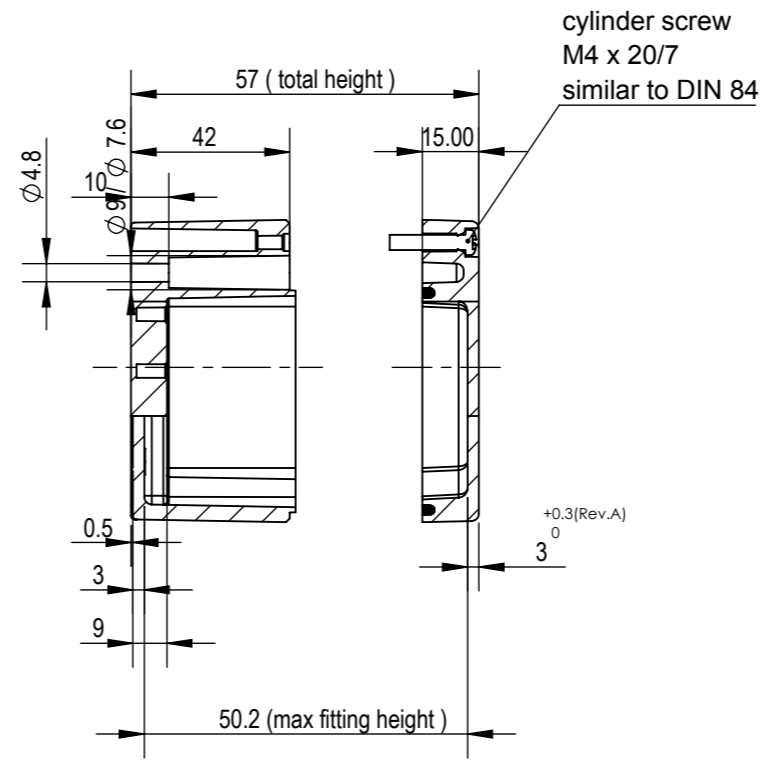
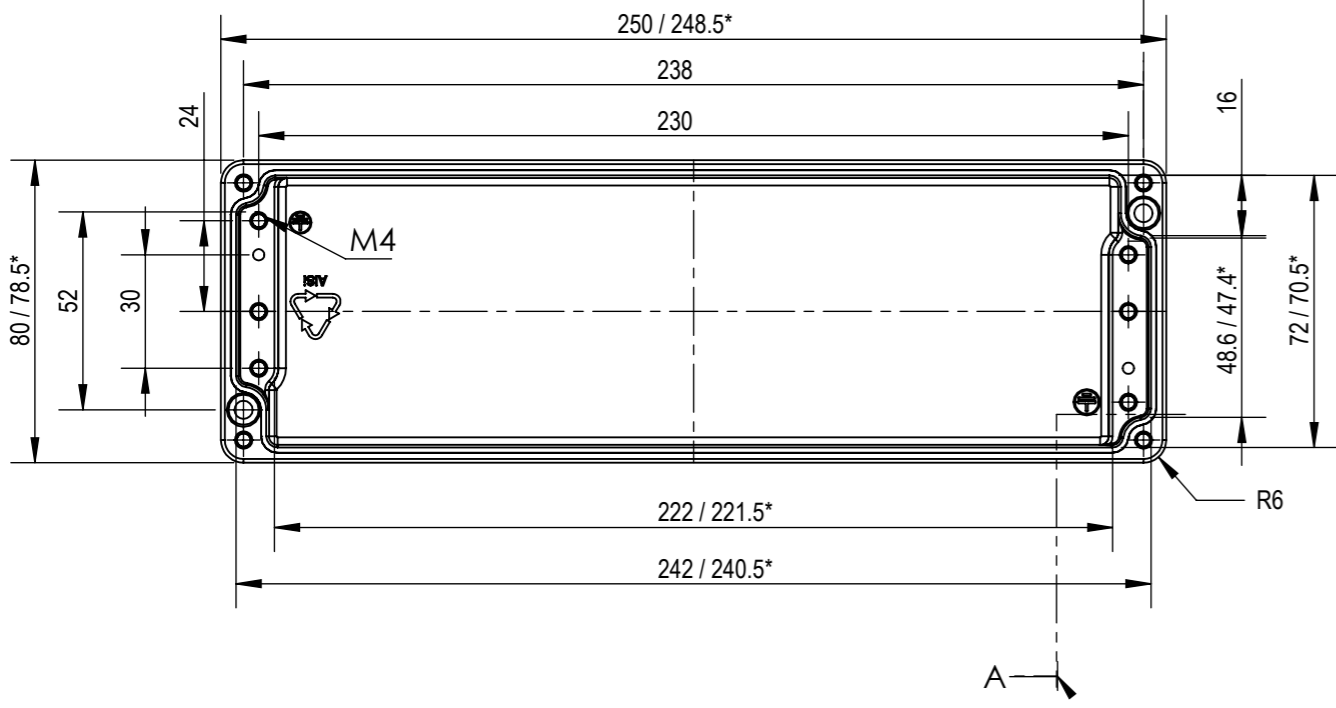
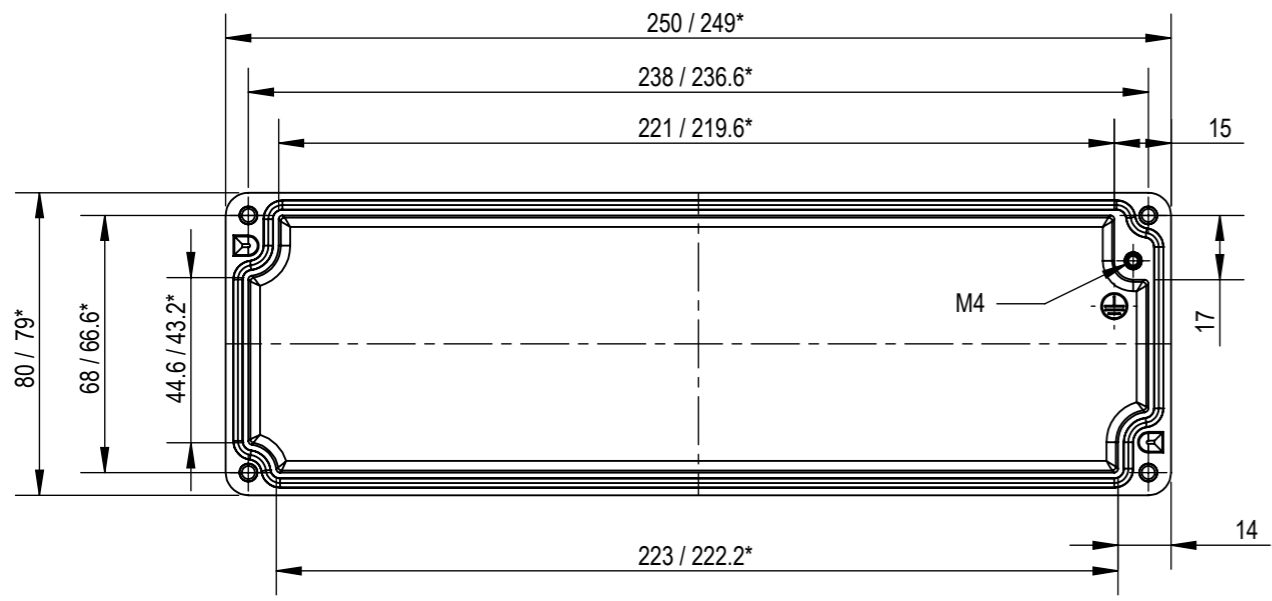


LID



\* = Conical form tapering downwards  
Free dimensions-tolerance to GTA 13/5/DIN 1688

ENCLOSURE/BOX MEETS THE REQUIREMENTS OF  
IS/IEC 60529:2001  
OR  
EN 60529  
FOR IP 66 AND IP 68 SEVERITY

BASE

		MANUFACTURER	MODEL	BRAND NAME
TOLERANCE (AS PER) GTA 13/5 DIN 1688			BB 07	
MATERIAL ALUMINIUM ALLOY GdAlSi12(Fe) / DIN1706 / ENAC44300		ALL DIMENSIONS ARE IN : Millimeters (mm)		ENCLOSURE /BOX SIZE L X W X H  <b>250 x 80 x 57</b>
ALL UNSPECIFIED RADII = R 1.5 SALT MIST TEST > 1000 Hrs FINISH NATURAL OR POWDER COATED		SHEET SIZE : A3	DRAWING NO	REVISION NO
PROPREITY & CONFEDENCIAL : All information in this drawing is the sole property of DEMO CASTERS PVT LTD. Any reproduction in part or as a whole without the written consent of Demo Casters is prohibited.		DATE: 17-07-2009 G.A.G. CHECKED BY: 04-04-2021 RAJ.K.JHA APPROVED BY: 05-04-2021 V. BIJLANI	SCALE 1:2	DEM - 001 - 07 Rev.A
		RELEASED		