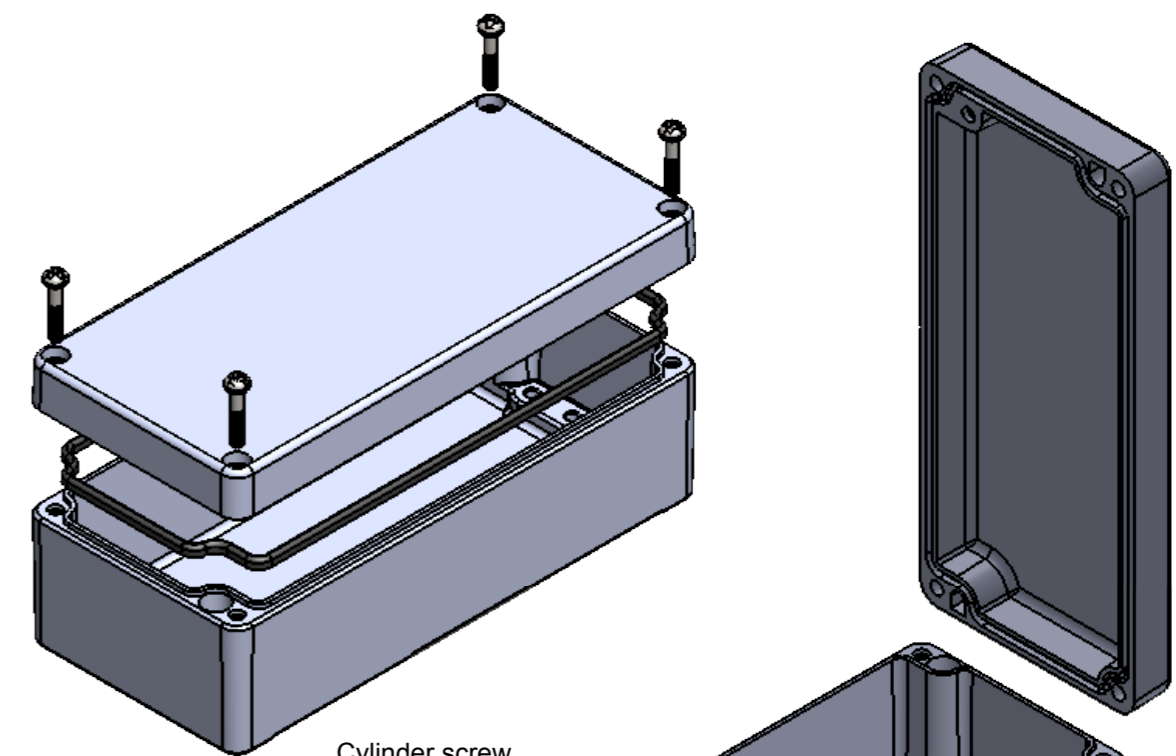
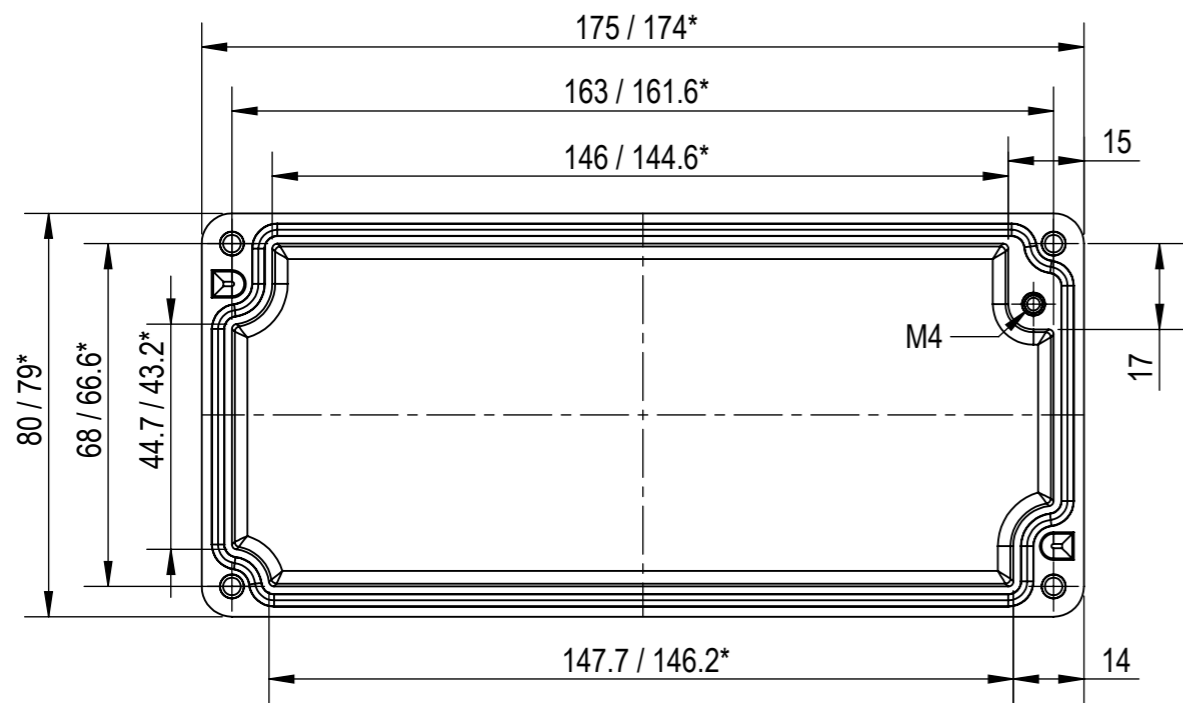
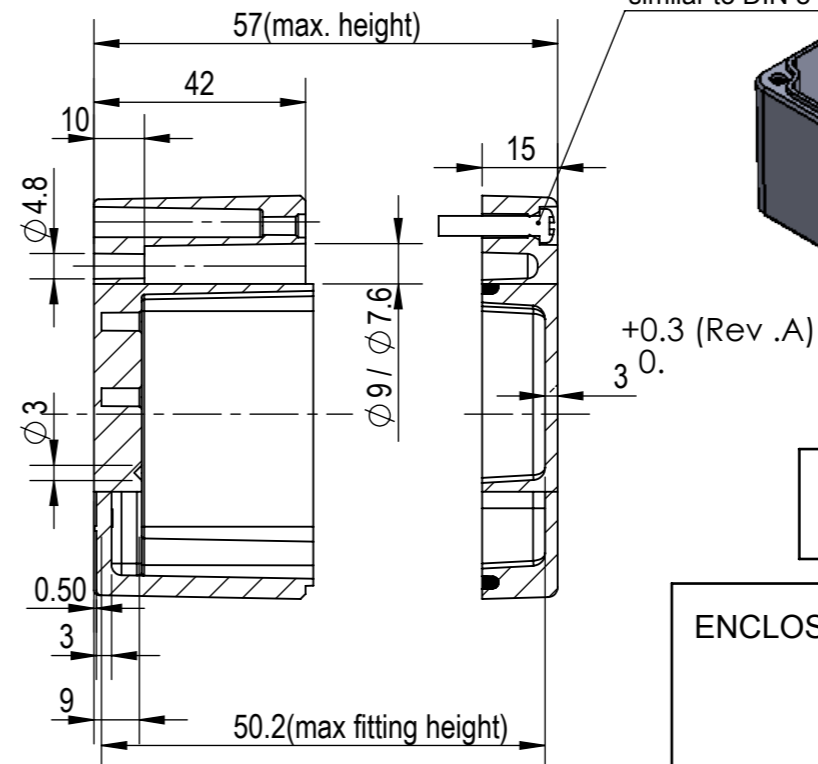
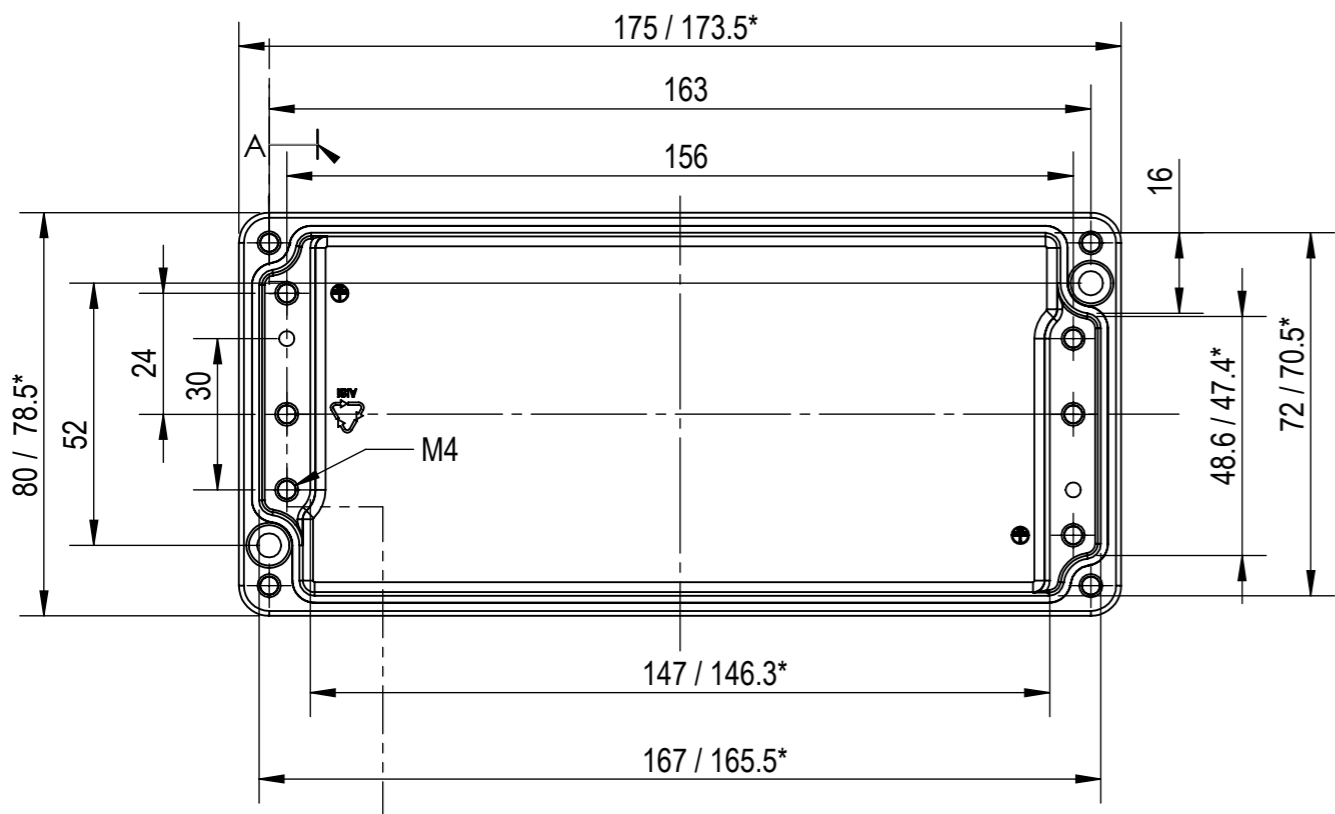
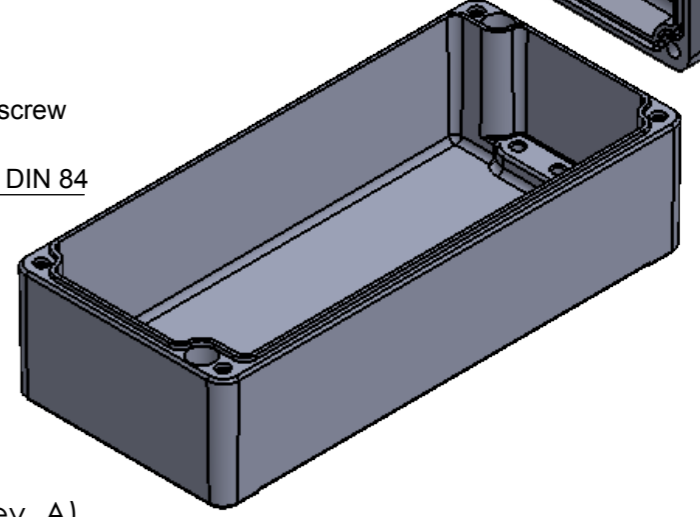


LID



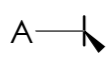
Cylinder screw
M4X20/7
similar to DIN 84



* = Conical form tapering downwards
Free dimensions-tolerance to GTA 13/5DIN 1688

ENCLOSURE/BOX MEETS THE REQUIREMENTS OF
IS/IEC 60529:2001
OR
EN 60529
FOR IP 66 AND IP 68 SEVERITY

BASE



		MANUFACTURER	MODEL	BRAND NAME
TOLERANCE (AS PER) GTA 13/5 DIN 1688			BB 06	
MATERIAL ALUMINIUM ALLOY GdAlSi12(Fe) / DIN1706 / ENAC44300		ALL DIMENSIONS ARE IN : Millimeters (mm)		ENCLOSURE /BOX SIZE L X W X H 175 x 80 x 57
ALL UNSPECIFIED RADII = R 1.5		SHEET SIZE : A3		DRAWING NO DEM-001-06
SALT MIST TEST > 1000 Hrs		DATE 17-07-2009	G.A.G	REVISION NO Rev .A
FINISH NATURAL OR POWDER COATED		CHECKED BY 04-04-2021 RAJ.K.JHA	APPROVED BY 05-04-2021 V. BIJLANI	SCALE 2:3
PROPRIETY & CONFEDENCIAL : All information in this drawing is the sole property of DEMO CASTERS PVT LTD. Any reproduction in part or as a whole without the written consent of Demo Casters is prohibited.		RELEASED		