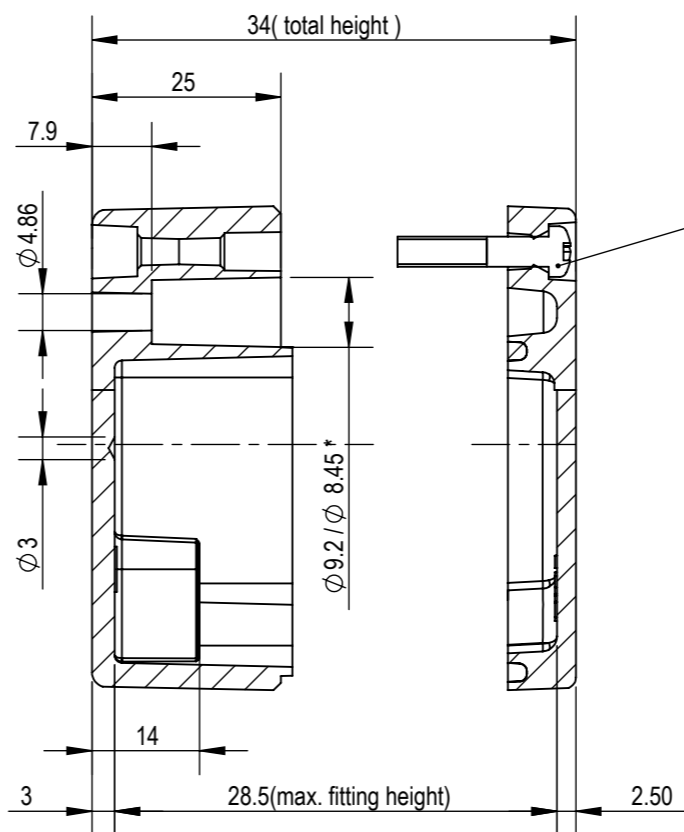
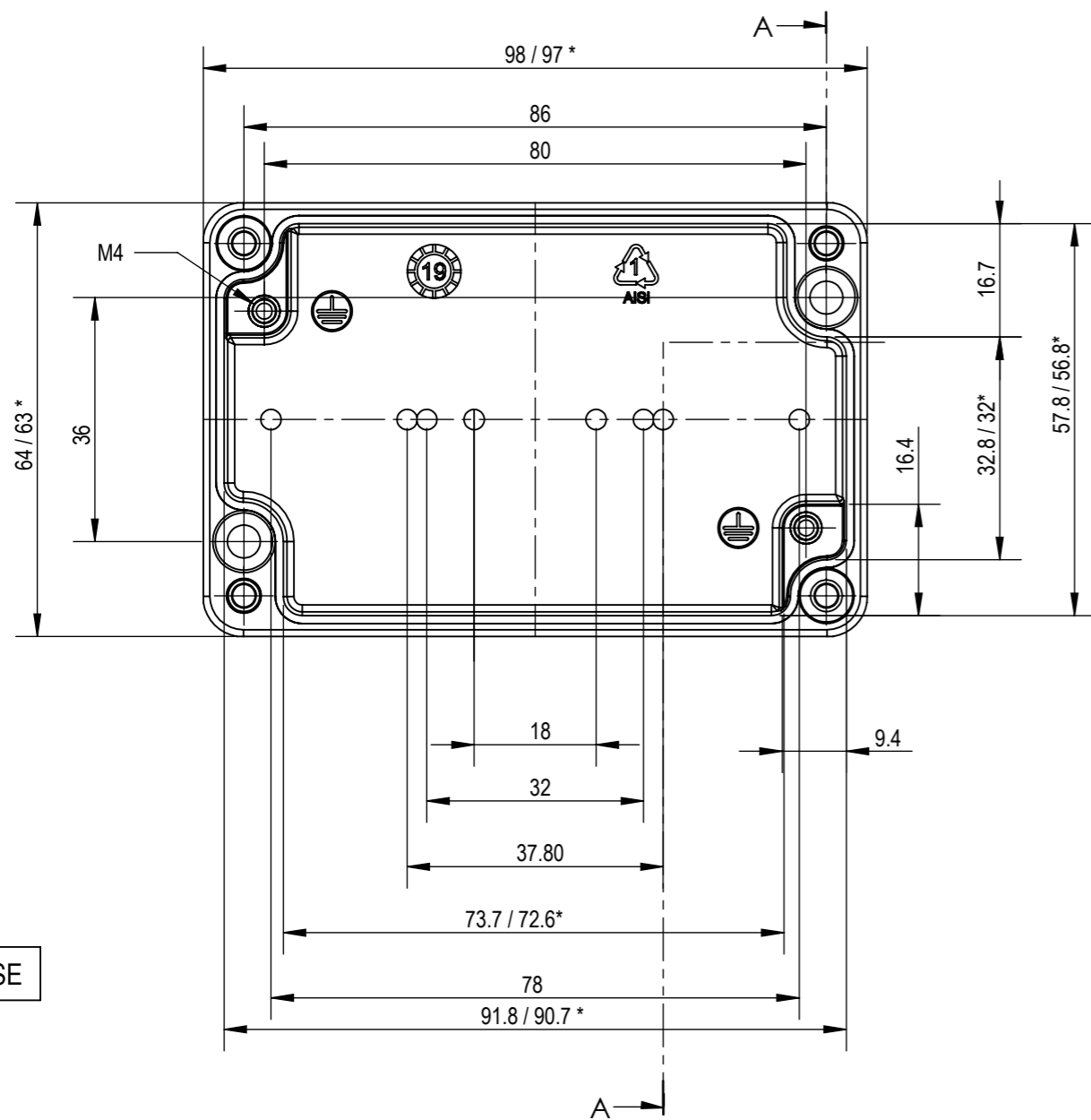
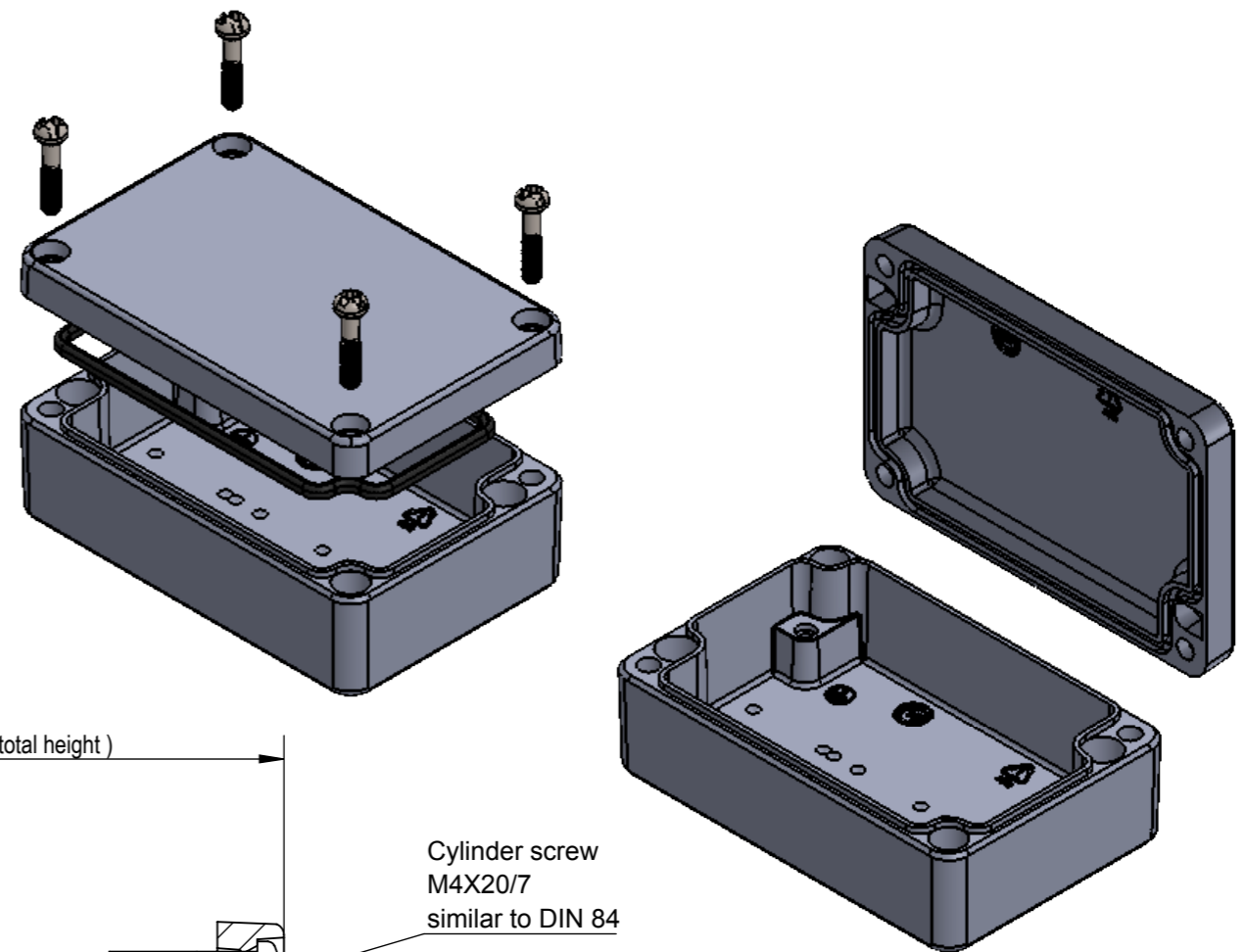
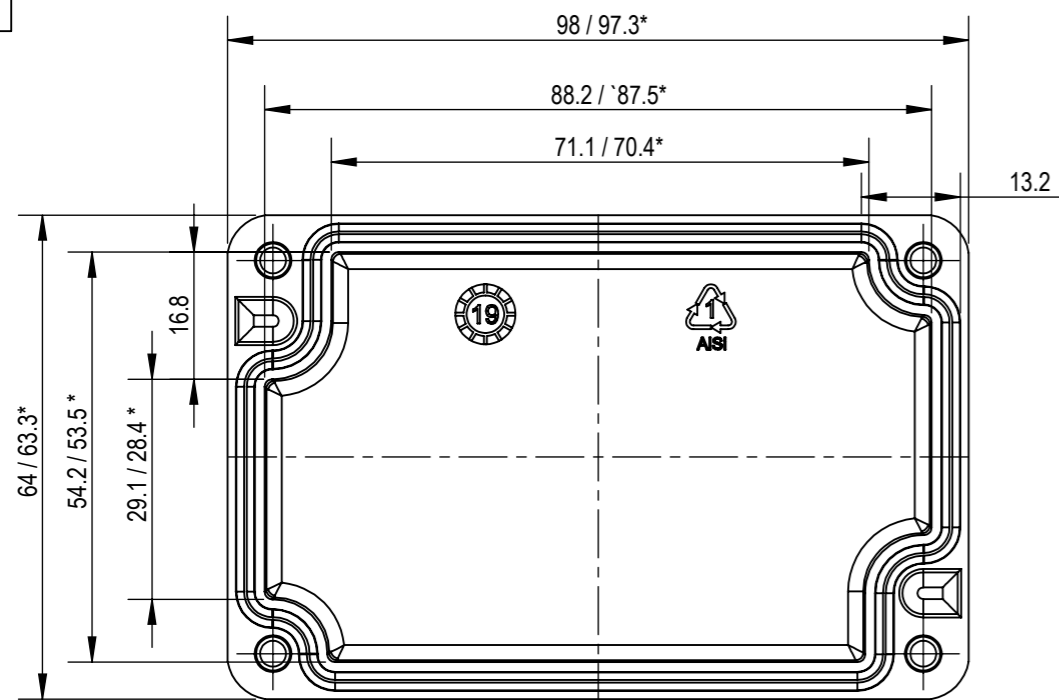


LID



* = Conical form tapering downwards
Free dimensions-tolerance to GTA 13/5DIN 1688

ENCLOSURE/BOX MEETS THE REQUIREMENTS OF
IS/IEC 60529:2001
OR
EN 60529
FOR IP 66 AND IP 68 SEVERITY

BASE

		MANUFACTURER	MODEL	BRAND NAME
TOLERANCE (AS PER) GTA 13/5 DIN 1688			BB 03	
MATERIAL ALUMINIUM ALLOY GdAlSi12(Fe) / DIN1706 / ENAC44300		ALL DIMENSIONS ARE IN : Millimeters (mm)		
ALL UNSPECIFIED RADII = R 1.5		ENCLOSURE /BOX SIZE L X W X H 98 x 64 x 34		
SALT MIST TEST > 1000 Hrs		SHEET SIZE : A3		
FINISH NATURAL OR POWDER COATED		DRAWING NO REVISION NO		
PROPREITY & CONFEDENCIAL : All information in this drawing is the sole property of DEMO CASTERS PVT LTD. Any reproduction in part or as a whole without the written consent of Demo Casters is prohibited.		SCALE 1:1		
DATE 04-01-2019 G.A.G		DEM-001-03		
CHECKED BY 04-04-2021 RAJ.K.JHA		REVISION NO		
APPROVED BY 05-04-2021 V. BIJLANI		RELEASED		