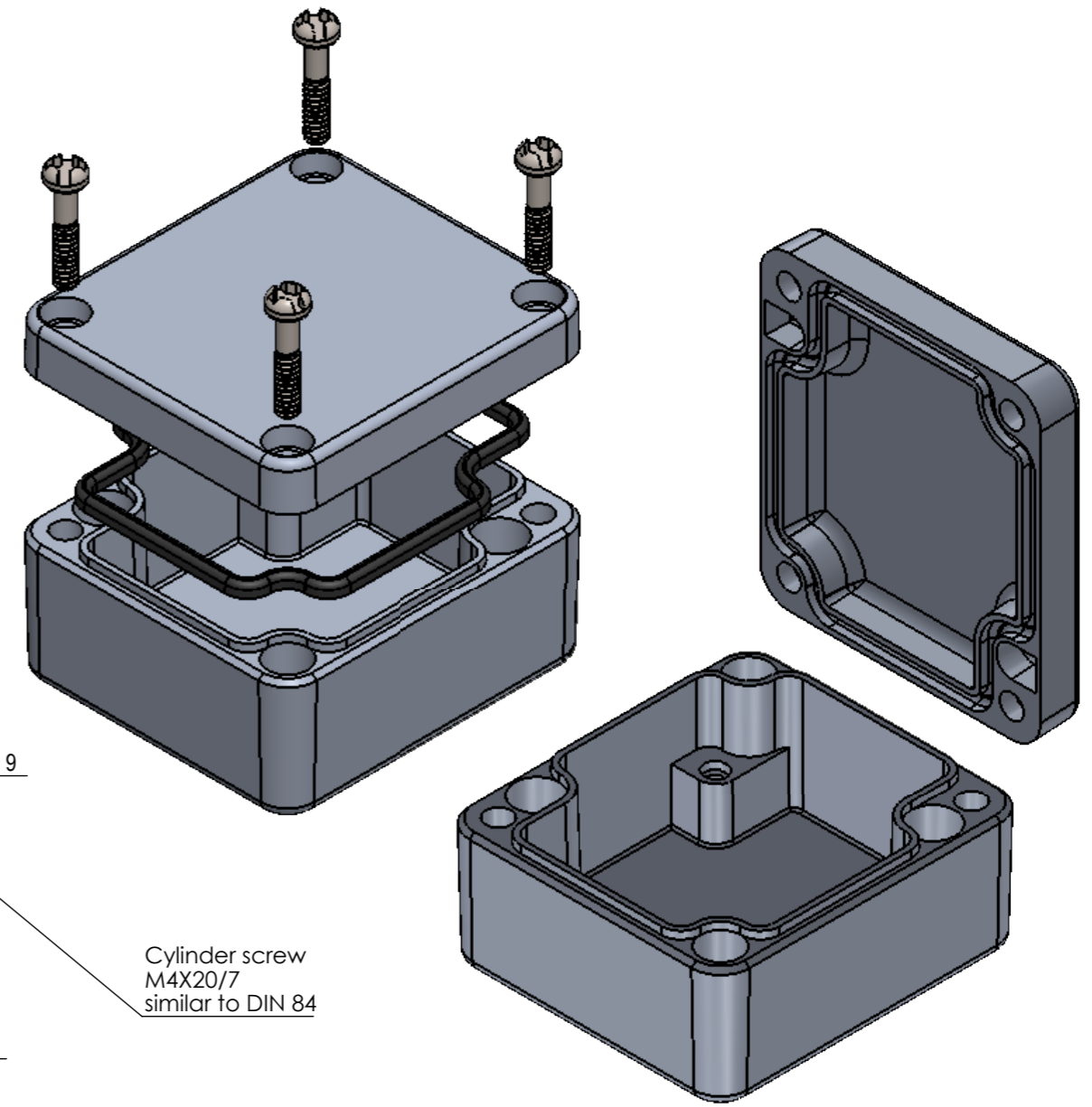
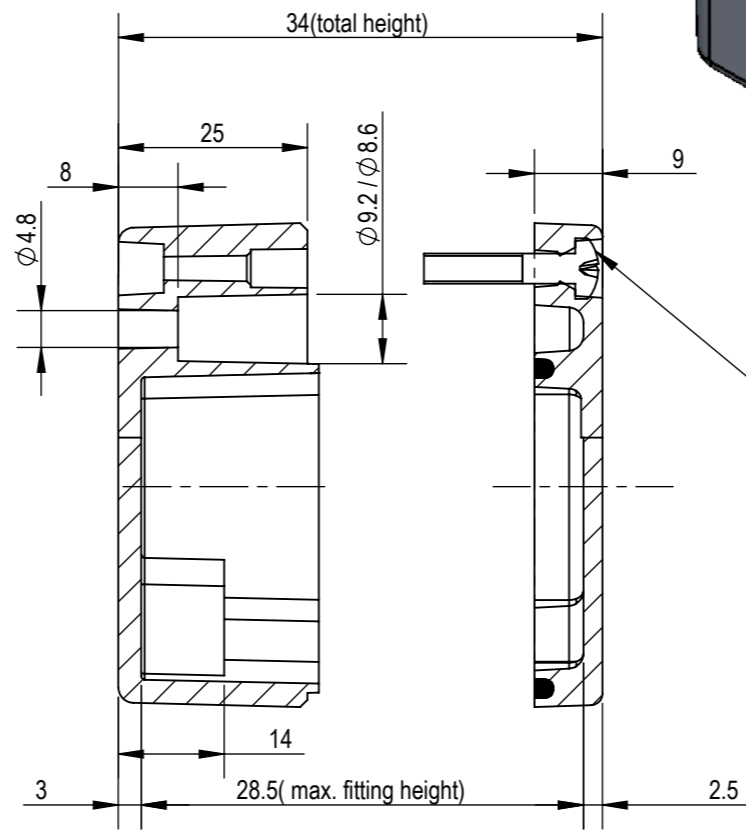
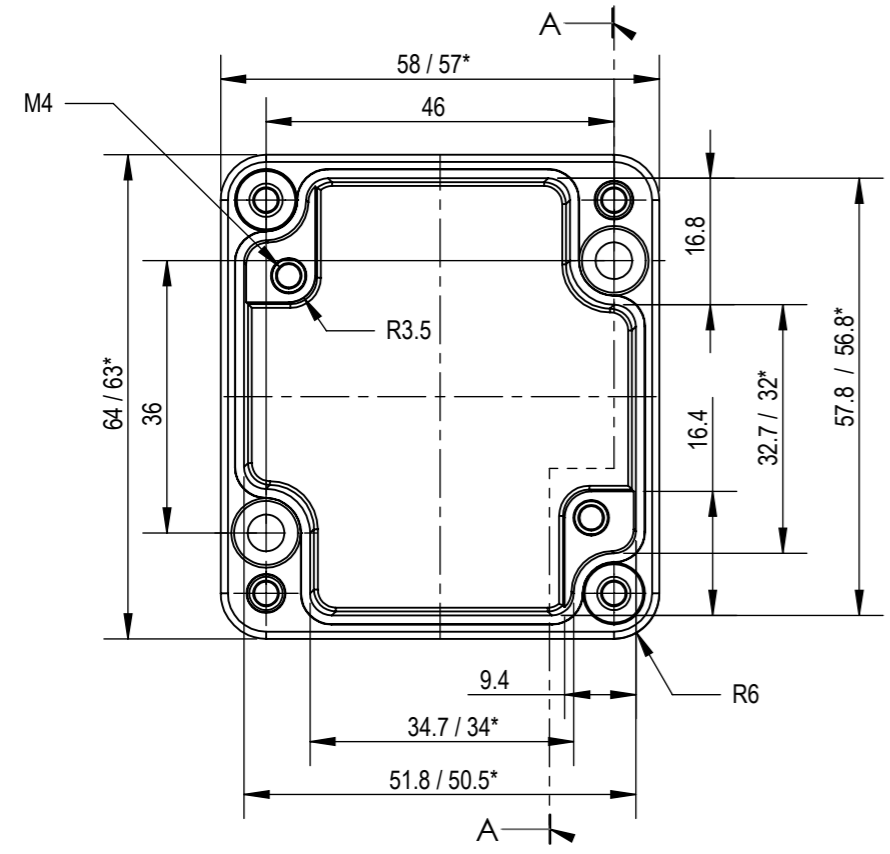
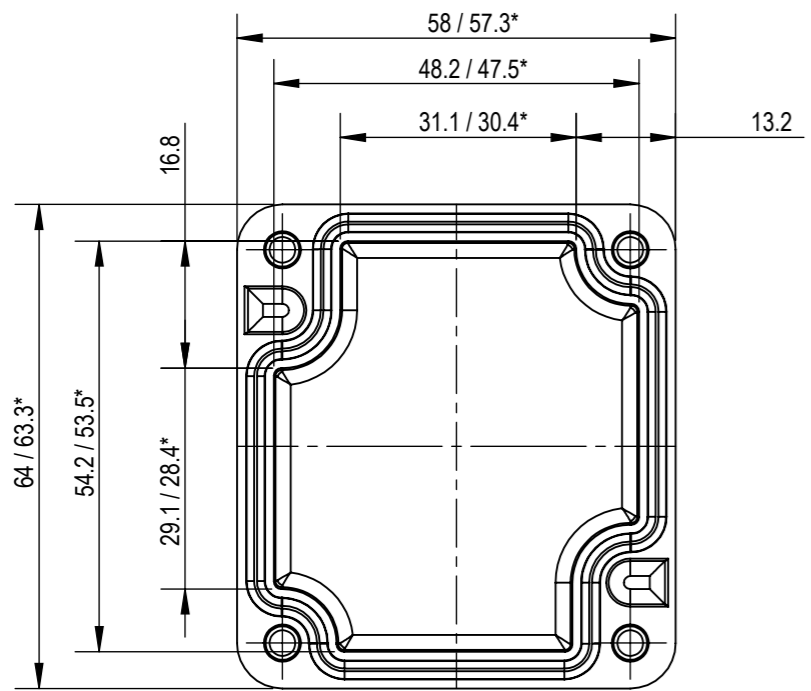


LID



Cylinder screw
M4X20/7
similar to DIN 84

* = Conical form tapering downwards
Free dimensions-tolerance to GTA 13/5DIN 1688

ENCLOSURE/BOX MEETS THE REQUIREMENTS OF
IS/IEC 60529:2001
OR
EN 60529
FOR IP 66 AND IP 68 SEVERITY

BASE

		MANUFACTURER	MODEL	BRAND NAME
TOLERANCE (AS PER) GTA 13/5 DIN 1688			BB 02	
MATERIAL ALUMINIUM ALLOY GdAlSi12(Fe) / DIN1706 / ENAC44300		ALL DIMENSIONS ARE IN : Millimeters (mm)	ENCLOSURE / BOX SIZE L X W X H 64 x 58 x 34	
ALL UNSPECIFIED RADII = R 1.5 SALT MIST TEST > 1000 Hrs FINISH NATURAL OR POWDER COATED		DATE 17-07-2009 G.A.G	SHEET SIZE : A3	
PROPREITY & CONFEDENCIAL : All information in this drawing is the sole property of DEMO CASTERS PVT LTD. Any reproduction in part or as a whole without the written consent of Demo Casters is prohibited.		CHECKED BY 04-04-2021 RAJ.K.JHA	DRAWING NO DEM-001-02	REVISION NO
APPROVED BY 05-04-2021 V. BIJLANI		SCALE 1:1	RELEASED	